

Ultra Mirage™ II Nasal Mask

COMPONENTSCARD

Ultra Mirage II Frame System (no cushion and headgear)

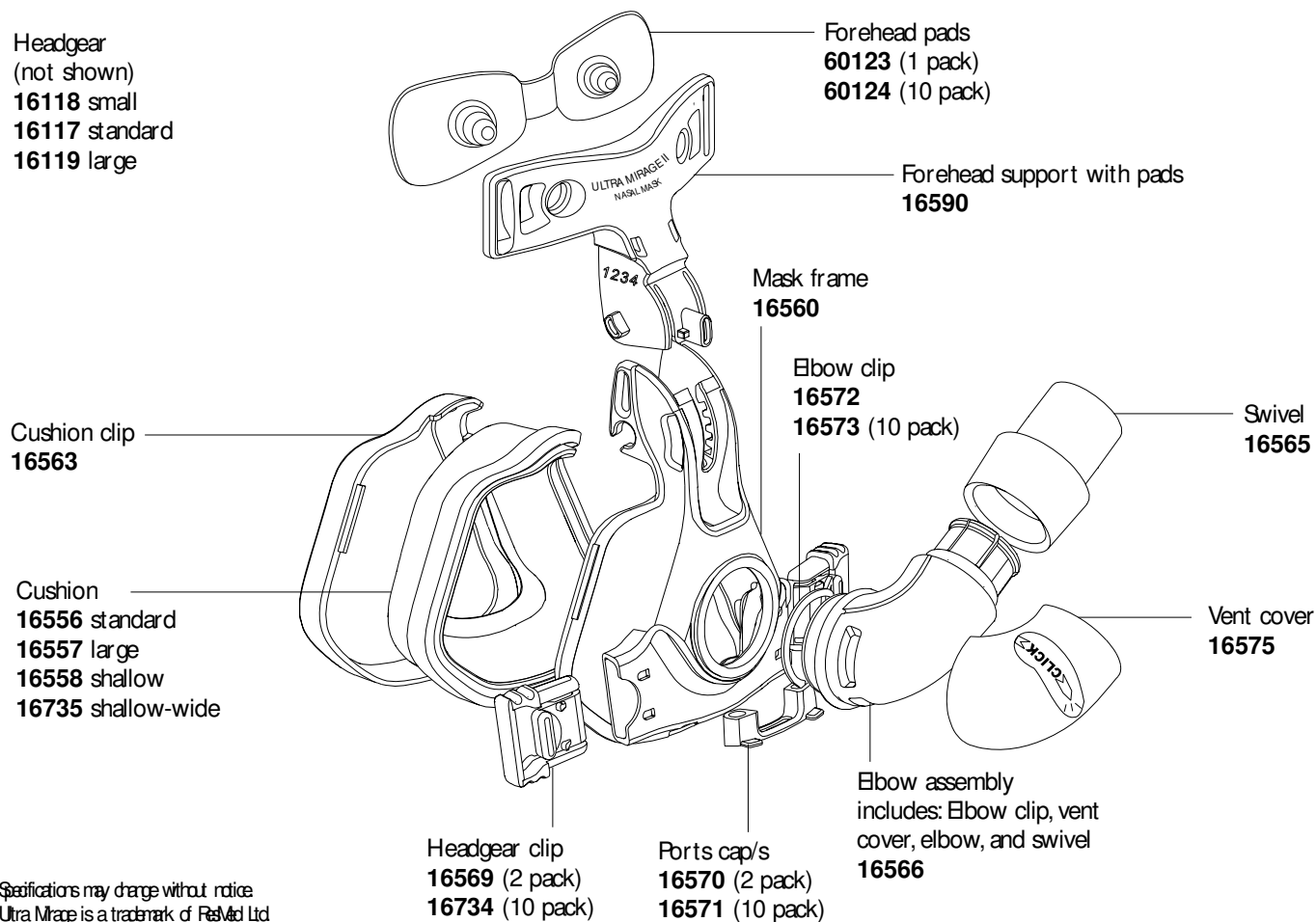
Frame **16594**

Ultra Mirage II Frame System with cushion (no headgear)

Standard **16726**
Large **16728**
Shallow **16727**
Shallow-wide **16736**

Ultra Mirage II Mask System (complete system with headgear and cushion)

Standard **16548**
Large **16549**
Shallow **16550**
Shallow-wide **16577**



Specifications may change without notice.
Ultra Mirage is a trademark of ResMed Ltd.
©2005 ResMed Ltd. Reference number: 1010524/1 05 04

