



**CPAPMAN.COM**  
BEST SERVICE SINCE 1997

**Click Here To Order Today**

**DeVilbiss®**  
HEALTHCARE



EasyFit Full Face Mask

## Performance Features

- **Exceptionally quiet operation**
- Superior seal for snug fit without painful pressure
- **Extremely durable and intuitive to size**
- **Unique ball-and-socket joint** allows for unsurpassed freedom of movement
- Exceptionally lightweight, minimizes discomfort associated with other masks

## EasyFit® Full Face Mask

### Full Face Mask Coverage with Nasal Mask Weight

The EasyFit Full Face Mask was designed by utilizing computer analyses of facial characteristics from 50,000 individuals globally. Identifying consistencies between most of these facial profiles attributed to the development of the **unique, scallop-shaped cushion**. This combined with the **lightweight and durable** full face mask offers a **superior fit, seal and comfort**.

The EasyFit Full Face Mask also includes the exclusive ball-and-socket joint at the tubing connector, allowing greater freedom of movement for even the most active sleepers.

The exhalation vent is **ultra-quiet and designed to direct air parallel to the patient's face** and not at a bed partner. The forehead support has locking notches that allow a patient to easily change the angle to optimize fit and comfort.

### Design Features

- **Minimalistic design** is easy to assemble, adjust and maintain
- Available in Small, Medium, Large and Extra Large sizes
- Replaceable cushions and forehead pads **available in silicone and gel**
- **Easy-to-use headgear** accommodates an array of head profiles and can be used on any EasyFit CPAP interface
- Adjustable forehead support with wider than average forehead cushions for **improved customization**
- Multi-patient use approved
- Latex-free

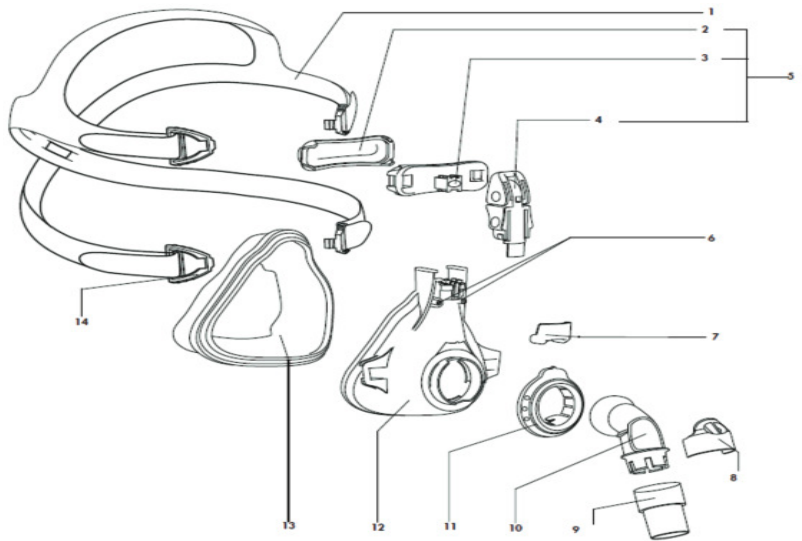
## Reimbursement Information

Product Description	Code Description	HCPCS Coding	Frequency	Allowable Range
Mask Frame	Full face mask used with PAP device, each	A7030	1 per 3 months	\$148.44 – \$174.64
Headgear	Headgear used with PAP device, each	A7035	1 per 6 months	\$31.27 – \$36.79
Cushion	Face mask interface, replacement for full face mask, each	A7031	1 per 1 month	\$54.90 – \$64.59

The noted allowable rates are based off of the January 2012 HCPCS Fee Schedule. All information presented is for reference purposes only.

## Ordering Information

PRODUCT DESCRIPTION	ITEM NUMBER	DRAWING ITEM
<b>Complete System</b>		
<b>Frame, Cushions, and Headgear</b>		
Silicone, Small	DV97310	1 - 14
Silicone, Medium	DV97320	1 - 14
Silicone, Large	DV97330	1 - 14
Silicone, X-Large	DV97340	1 - 14
Gel, Small	DV97412	1 - 14
Gel, Medium	DV97422	1 - 14
Gel, Large	DV97432	1 - 14
<b>Replacement Cushions</b>		
Silicone, Small	DV97410	13
Silicone, Medium	DV97420	13
Silicone, Large	DV97430	13
Silicone, X-Large	DV97440	13
Forehead Cushion, Silicone	DV97300	2
Gel, Small	DV97212	13
Gel, Medium	DV97222	13
Gel, Large	DV97232	13
Forehead Cushion, Gel	DV97227	2
<b>Replacement Frame</b>		
<b>Includes Everything Except Cushions and Headgear</b>		
Silicone, Small	DV97314	5 - 12
Silicone, Medium	DV97324	5 - 12
Silicone, Large	DV97331	5 - 12
Silicone, X-Large	DV97341	5 - 12
Gel, Small	DV97316	5 - 12
Gel, Medium	DV97326	5 - 12
Gel, Large	DV97336	5 - 12



PRODUCT DESCRIPTION	ITEM NUMBER	DRAWING ITEM
<b>Replacement Headgear</b>		
Headgear, Universal Size	DV97360	1
<b>Replenishment Kits</b>		
<b>Includes Cushion and Frame</b>		
Silicone, M	DV97478	6-13
Silicone, L	DV97479	6-13
Gel, M	DV97482	6-13
Gel, L	DV97483	6-13
<b>Parts and Accessories</b>		
Headgear Clips, 4 Pieces	DV97218	14
Forehead Support, Silicone	DV97217	5
Forehead Support, Gel	DV97216	5
<b>Instructions</b>		
Instructions for Use	DV67108	N/A
Disinfection Instructions	DV67107	N/A

**Replenishment Kits Available!**  
Includes Cushion and Frame



DeVilbiss Healthcare LLC | 100 DeVilbiss Drive | Somerset, PA 15501 USA  
800.338.1988 | 814.443.4881 | www.DeVilbissHealthcare.com